



DEPARTMENT OF REGULATORY AND ECONOMIC RESOURCES (RER)
 BOARD AND CODE ADMINISTRATION DIVISION
NOTICE OF ACCEPTANCE (NOA)

MIAMI-DADE COUNTY
 PRODUCT CONTROL SECTION
 11805 SW 26 Street, Room 208
 Miami, Florida 33175-2474
 T (786) 315-2590 F (786) 315-2599
www.miamidade.gov/economy

TKO Doors, Div. of 4Front Engineered Solutions, Inc.
 N56 W24701 N. Corporate Circle
 Sussex, WI 53089

SCOPE:

This NOA is being issued under the applicable rules and regulations governing the use of construction materials. The documentation submitted has been reviewed and accepted by Miami-Dade County RER-Product Control Section to be used in Miami Dade County and other areas where allowed by the Authority Having Jurisdiction (AHJ). This NOA shall not be valid after the expiration date stated below. The Miami-Dade County Product Control Section (In Miami Dade County) and/or the AHJ (in areas other than Miami Dade County) reserve the right to have this product or material tested for quality assurance purposes. If this product or material fails to perform in the accepted manner, the manufacturer will incur the expense of such testing and the AHJ may immediately revoke, modify, or suspend the use of such product or material within their jurisdiction. RER reserves the right to revoke this acceptance, if it is determined by Miami-Dade County Product Control Section that this product or material fails to meet the requirements of the applicable building code. This product is approved as described herein, and has been designed to comply with the Florida Building Code, including the High Velocity Hurricane Zone.

DESCRIPTION: Model VC-4 WL Dock Plastic Sectional Garage Door up to 10'-0" Wide x 12'-0" High

APPROVAL DOCUMENT: Drawing No. 15-2401, titled "Fiberglass Dock Doors VC-4 WL Overhead Garage Door", sheet 1 through 7 of 7, dated 05/06/2013, with last revision dated 05/18/2015, prepared by Engineering Express, signed and sealed by Frank L. Bennardo, P.E., bearing the Miami-Dade County Product Control revision stamp with the Notice of Acceptance number and expiration date by the Miami-Dade County Product Control Section.

MISSILE IMPACT RATING: Large and Small Missile Impact Resistant

LABELING: A permanent label with the manufacturer's name or logo, manufacturing address, model number, the positive and negative design pressure rating, indicate impact rated if applicable, installation instruction drawing reference number, approval number (NOA), the applicable test standards, and the statement reading 'Miami-Dade County Product Control Approved' is to be located on the door's side track, bottom angle, or inner surface of a panel.

RENEWAL of this NOA shall be considered after a renewal application has been filed and there has been no change in the applicable building code negatively affecting the performance of this product.

TERMINATION of this NOA will occur after the expiration date or if there has been a revision or change in the materials, use, and/or manufacture of the product or process. Misuse of this NOA as an endorsement of any product, for sales, advertising or any other purposes shall automatically terminate this NOA. Failure to comply with any section of this NOA shall be cause for termination and removal of NOA.

ADVERTISEMENT: The NOA number preceded by the words Miami-Dade County, Florida, and followed by the expiration date may be displayed in advertising literature. If any portion of the NOA is displayed, then it shall be done in its entirety.

INSPECTION: A copy of this entire NOA shall be provided to the user by the manufacturer or its distributors and shall be available for inspection at the job site at the request of the Building Official.

This NOA revises NOA # 13-0521.06 and consists of this page 1 and evidence page E-1, as well as approval document mentioned above.

The submitted documentation was reviewed by **Carlos M. Utrera, P.E.**



[Handwritten Signature]
 12/08/2015

NOA No 15-0916.11
 Expiration Date: November 28, 2018
 Approval Date: December 17, 2015
 Page 1

NOTICE OF ACCEPTANCE: EVIDENCE SUBMITTED

A. DRAWINGS

1. Drawing No. **15-2401**, titled "Fiberglass Dock Doors VC-4 WL Overhead Garage Door", sheet 1 through 7 of 7, dated 05/06/2013, with last revision dated 05/18/2015, prepared by Engineering Express, signed and sealed by Frank L. Bennardo, P.E.

B. TESTS "Submitted under NOA # 13-0521.06"

1. Addendum letter to Test Report No. **C3614.01-602-18**, dated 09/09/2013, signed and sealed by Shawn G. Collins, P.E.
2. Test reports on 1) Uniform Static Air Pressure Test, Loading per FBC TAS 202-94
2) Large Missile Impact Test per FBC, TAS 201-94
3) Cyclic Wind Pressure Loading per FBC, TAS 203-94
4) Forced Entry Test, per FBC TAS 202-94
Along with marked-up drawings and installation diagram of Verticool Doors, prepared by Architectural Testing, Inc., Test Report No. **C3614.01-602-18**, dated 03/28/2013, signed and sealed by Shawn G. Collins, P.E.
3. Test report on Self-ignition Temperature per ASTM D1929, Smoke Density Rating per ASTM D2843 and Rate of Burn per ASTM D635 of various plastic door components, prepared by Architectural Testing, Inc., Test Report No. **C2850.01-106-18**, dated 11/21/2012, signed and sealed by Gary T. Hartman, P.E.

C. CALCULATIONS

1. Jamb anchor calculations prepared by Engineering Express, dated 05/05/2015, signed and sealed by Frank L. Bennardo, P.E.

"Submitted under NOA # 13-0521.06"
2. Jamb anchor calculations prepared by Engineering Express, dated 05/14/2013, signed and sealed by Frank L. Bennardo, P.E.

D. QUALITY ASSURANCE

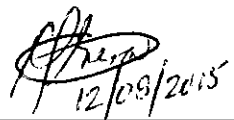
1. Miami-Dade Department of Regulatory and Economic Resources (RER)

E. MATERIAL CERTIFICATIONS "Submitted under NOA # 13-0521.06"

1. Test report on Flame Spread Index and Smoke Developed Index per UL-723 of EXPS foam insulation, Test Report No. **BRYX.R3573** dated 07/12/2010.

F. STATEMENTS

1. Statement letter of code conformance with the 5th edition (2014) FBC issued by Engineering Express, dated 05/18/2015, signed and sealed by Frank L. Bennardo, P.E.
2. Statement letter of no financial interest issued by Engineering Express, dated 05/18/2015, signed and sealed by Frank L. Bennardo, P.E.



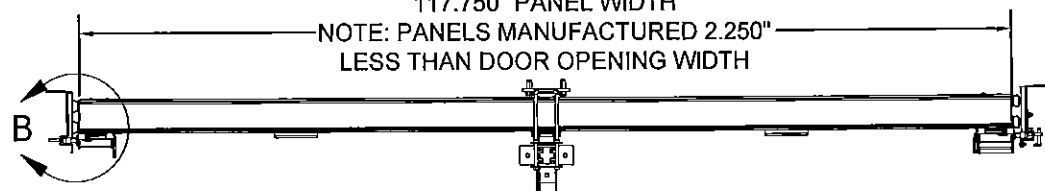
Carlos M. Utrera, P.E.
Product Control Examiner
NOA No 15-0916.11

Expiration Date: November 28, 2018
Approval Date: December 17, 2015

VC-4 WL DOCK DOORS

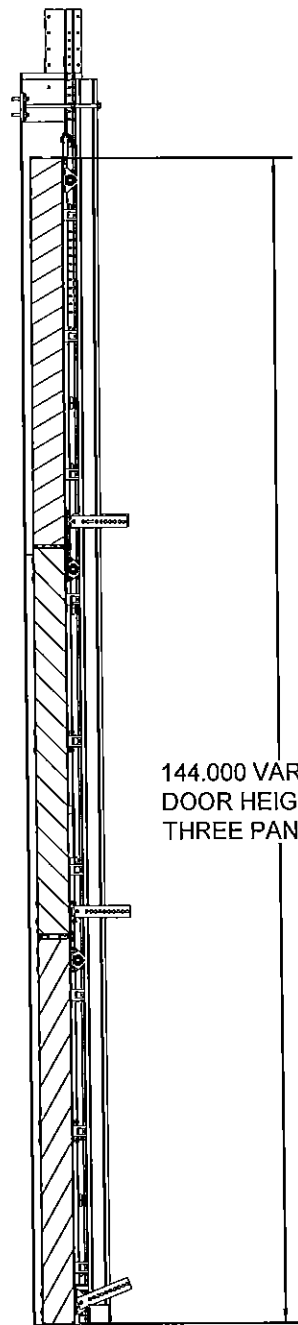
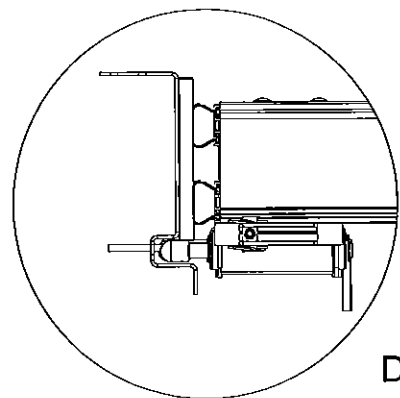
LARGE MISSILE IMPACT RESISTANT

117.750" PANEL WIDTH
NOTE: PANELS MANUFACTURED 2.250"
LESS THAN DOOR OPENING WIDTH



PLAN VIEW

DETAIL B



SECTION A-A
SECTION SIDE VIEW

48.000 MAX
PANEL HEIGHT

48.000 MAX
PANEL HEIGHT

144.000 VARIES
DOOR HEIGHT WITH
THREE PANELS

48.000" MAX
PANEL HEIGHT

SEE SHEETS 6 OF 7
AND 7 OF 7 FOR DETAIL
PANEL HARDWARE

SEE SHEET 4 OF 7 FOR DETAIL
LOWER TRACK ASSEMBLY

SEE SHEET 2 OF 7 FOR
PANEL ASSEMBLY

SEE SHEET 5 OF 7 FOR DETAIL
TRACK ANCHOR MOUNTING

SEE SHEET 3 OF 7 FOR
DETAIL PANEL COMPONENTS

60.000 CENTER POST CENTERED
IN DOOR OPENING/PANEL

120.000 DOOR WIDTH/TRACK SPACING
INTERIOR ELEVATION

GENERAL NOTES

1. THE SYSTEM DESCRIBED HEREIN HAS BEEN DESIGNED AND TESTED IN ACCORDANCE WITH THE FLORIDA BUILDING CODE FIFTH EDITION (2014), FOR USE WITHIN AND OUTSIDE THE HIGH VELOCITY HURRICANE ZONE, PER TAS 201 / 202 / 203 STANDARDS.
2. NO 33-1/3% INCREASE IN ALLOWABLE STRESS HAS BEEN USED IN THE DESIGN OF THIS SYSTEM. WIND LOAD DURATION FACTOR Cd=1.6 HAS BEEN USED FOR WOOD ANCHOR DESIGN.
3. POSITIVE AND NEGATIVE DESIGN PRESSURES CALCULATED FOR USE WITH THIS SYSTEM SHALL BE DETERMINED PER SEPARATE ENGINEERING IN ACCORDANCE WITH THE GOVERNING CODE. PRESSURE REQUIREMENTS AS DETERMINED IN ACCORDANCE WITH ASCE 7 AND CHAPTER 1620 OF THE FLORIDA BUILDING CODE SHALL BE LESS THAN OR EQUAL TO THE POSITIVE OR NEGATIVE DESIGN PRESSURE CAPACITY VALUES LISTED HEREIN FOR ANY ASSEMBLY AS SHOWN.
4. DESIGN PRESSURES NOTED HEREIN ARE BASED ON MAXIMUM TESTED PRESSURES DIVIDED BY A 1.5 SAFETY FACTOR.
5. THE SYSTEM DETAILED HEREIN IS GENERIC AND DOES NOT PROVIDE INFORMATION FOR A SPECIFIC SITE. FOR SITE CONDITIONS DIFFERENT FROM THE CONDITIONS DETAILED HEREIN, A LICENSED ENGINEER OR REGISTERED ARCHITECT SHALL PREPARE SITE SPECIFIC DOCUMENTS FOR USE IN CONJUNCTION WITH THIS DOCUMENT.
6. CONTRACTOR SHALL VERIFY THE ADEQUACY OF THE EXISTING STRUCTURE TO WITHSTAND SUPERIMPOSED LOADS. WOOD BUCKS (BY OTHERS) SHALL BE ANCHORED PROPERLY TO TRANSFER LOADS TO THE EXISTING STRUCTURE.
7. ALL BOLTS & WASHERS SHALL BE ZINC COATED STEEL, GALVANIZED STEEL, OR STAINLESS STEEL WITH A MINIMUM TENSILE YIELD STRENGTH OF 60 KSI U.O.N.
8. ALL DISSIMILAR MATERIALS IN CONTACT SHALL BE PAINTED, PLATED OR OTHERWISE INSULATED.
9. DOOR HEIGHT MAY VARY UP TO A MAXIMUM HEIGHT OF 144", PROVIDED THAT INDIVIDUAL PANEL HEIGHTS DO NOT EXCEED 48".
10. ALL HARDWARE & FASTENERS SHALL BE IN ACCORDANCE WITH THESE DRAWINGS & MAY NOT VARY UNLESS SPECIFICALLY MENTIONED ON THE DRAWINGS.

ALLOWABLE DESIGN PRESSURES

+52.0 PSF
-52.0 PSF

PRODUCT REVISED
as complying with the Florida
Building Code
Acceptance No 15-2316-11
Expiration Date 11/28/2018
By *[Signature]*
Miami Dade Product Control

FRANK L. BENNARDO, P.E.
No. 46549
ENGINEERING EXPRESS
160 SW 12th Avenue, #106
DEERFIELD BEACH, FL 33442
Ph: (954) 354-0660 FAX: (954) 344-4443
WWW.ENGINEERINGEXPRESS.COM
CERT. OF AUTH. #8885
A FRANK L. BENNARDO, P.E., INC. INNOVATION

TKO DOORS, DIVISION OF 4FRONT ENGINEERED SOLUTIONS, INC.
N56 W24701 NORTH CORPORATE CIRCLE, SUITE A
SUSSEX, WI 53089
PHONE: 1-800-575-3366 FAX: (262) 246-1301
FIBERGLASS DOCK DOORS
VC-4 WL OVERHEAD GARAGE DOOR
MIAMI-DADE NOTICE OF ACCEPTANCE

REMARKS	DRWN	CHKD	DATE
INIT ISSUE (13-TKO-04)	KL	FLB	05/06/13
REV. PER COMMENTS	KL	FLB	10/09/13
REMOVE STRAY LINES	KL	FLB	11/20/13
FBC UPDATE	RWN	CSL	05/18/15

THIS DOCUMENT IS THE PROPERTY OF ENGINEERING EXPRESS AND SHALL NOT BE REPRODUCED IN WHOLE OR PART WITHOUT WRITTEN CONSENT OF THE CERTIFYING ENGINEER. ALTERNATIONS, ADDITIONS, DELETIONS, AND/OR CHANGES TO THIS DOCUMENT ARE NOT PERMITTED AND WILL BE AT THE USER'S SOLE RISK.

COPYRIGHT ENGINEERING EXPRESS

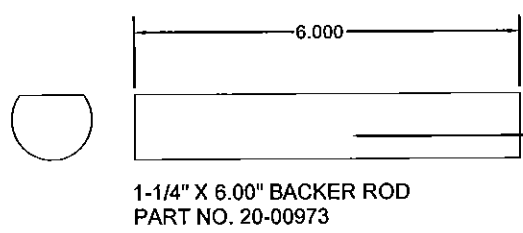
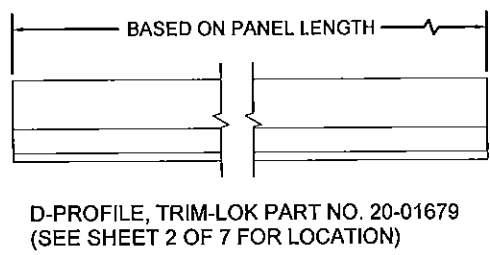
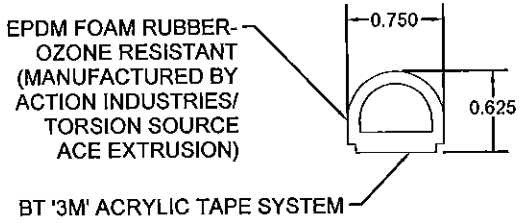
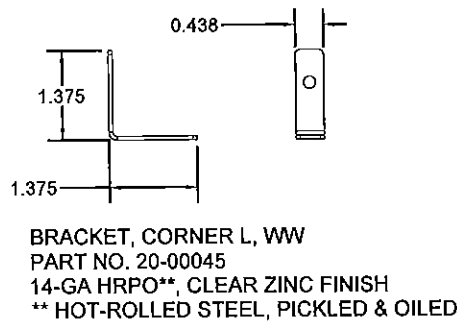
15-2401

SCALE:
PAGE DESCRIPTION:

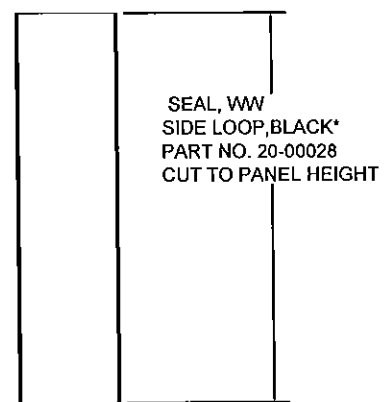
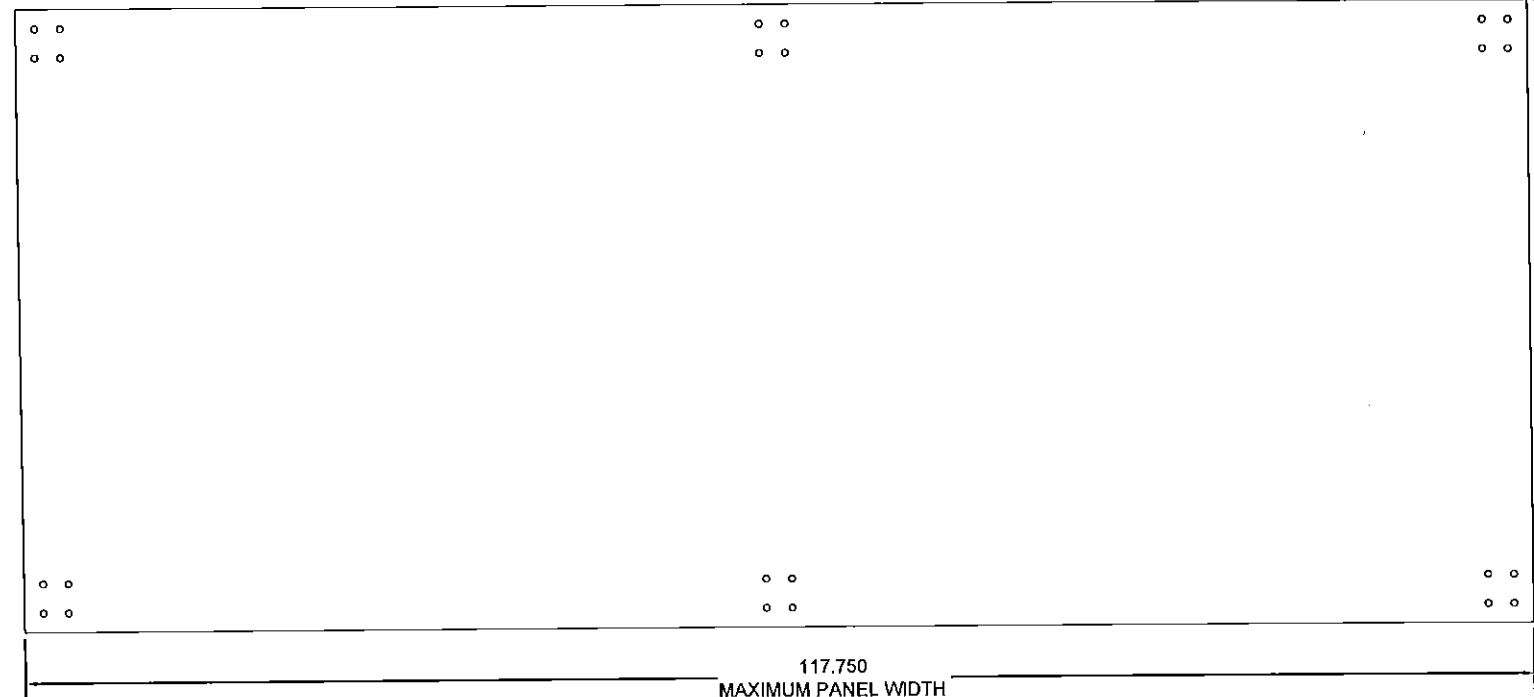
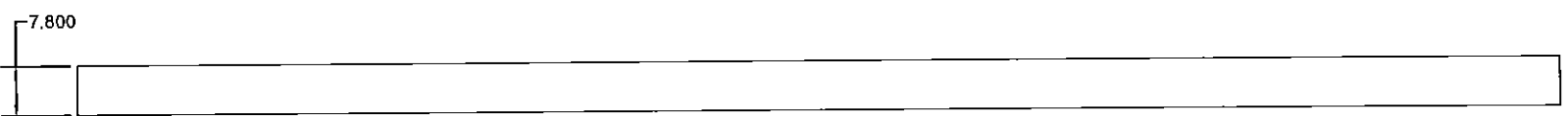
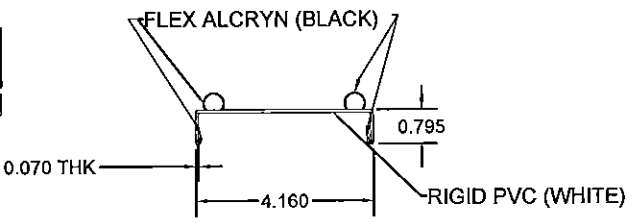
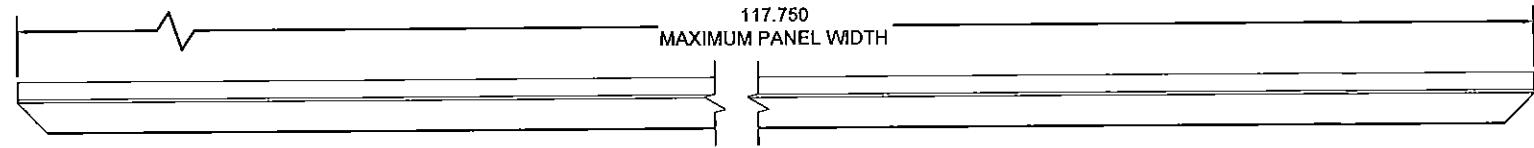
1 OF 7

V:\Projects\15-2401 Fiberglass Dock Door VC-4 WL- NOA - Update 13-0521.06 (13-TKO-04) for 20-Project\WP15-2401a Vertical 4in Sectional Door (NOA).dwg

PANEL COMPONENTS

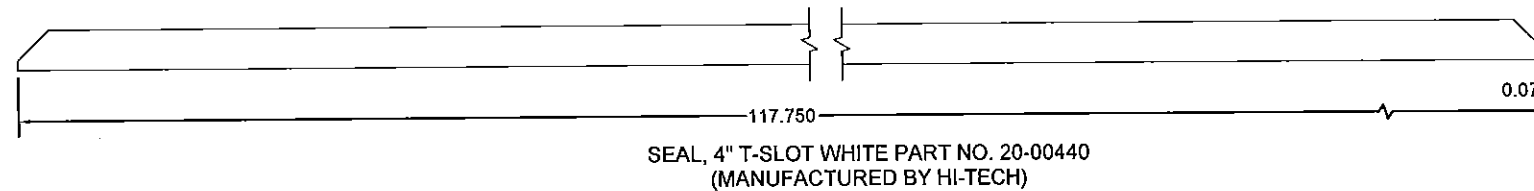


RETICULATED CLOSED-CELL
POLYETHYLENE FOAM, GREY

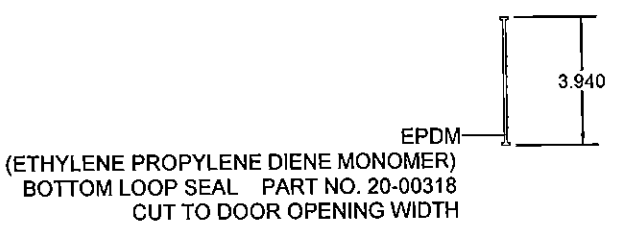


SLIP-COAT
BLACK
85 DUROMETER

FLEX-COAT
TPR WHITE
55 DUROMETER



*NOTE:
-SEAL, WW, SIDE LOOP, 48-3/4"
PART NO. 20-01825
INTERMEDIATE PANEL
-SEAL, WW, SIDE LOOP, 49-1/2"
PART NO. 20-01826
BOTTOM PANEL ONLY



FRANK L. BENNARDO, P.E.
PE0046549

05/18/2015

FRANK L. BENNARDO, P.E.
LICENSED PROFESSIONAL ENGINEER
No. 46549

ENGINEERING EXPRESS
160 SW 12th AVENUE, #106
DEERFIELD BEACH, FL 33442
Ph: (954) 354-0660 FAX: (954) 354-4043
WWW.ENGEXP.COM

CERT. OF AUTH. #8885
A FRANK L. BENNARDO, P.E., INC. INNOVATION

TKO DOORS, DIVISION OF 4FRONT ENGINEERED SOLUTIONS, INC.
N56 W24701 NORTH CORPORATE CIRCLE, SUITE A
SUSSEX, WI 53089
PHONE: 1-800-575-3366 FAX: (262) 246-1301

FIBERGLASS DOCK DOORS
VC-4 WL OVERHEAD GARAGE DOOR
MIAMI-DADE NOTICE OF ACCEPTANCE

REMARKS	DRWN	CHKD	DATE
INIT ISSUE (13-TKO-04)	KL	FLB	05/06/13
REV. PER COMMENTS	KL	FLB	10/09/13
REMOVE STRAY LINES	KL	FLB	11/20/13
PFC UPDATE	RWN	CSL	05/18/15

THIS DOCUMENT IS THE PROPERTY OF ENGINEERING EXPRESS AND SHALL NOT BE REPRODUCED IN WHOLE OR PART WITHOUT WRITTEN CONSENT OF THE CERTIFYING ENGINEER. ALL REVISIONS, ADDITIONS, HIGHLIGHTING OR OTHERWISE MADE TO THIS DOCUMENT ARE NOT PERMITTED AND INVALIDATE OUR CONTRACTUAL OBLIGATIONS.

PRODUCT REVISED
as complying with the Florida
Building Code
Acceptance No 15-2916.11
Expiration Date 11/29/2018

By *[Signature]*
Miami Dade Product Control

COPYRIGHT ENGINEERING EXPRESS

15-2401

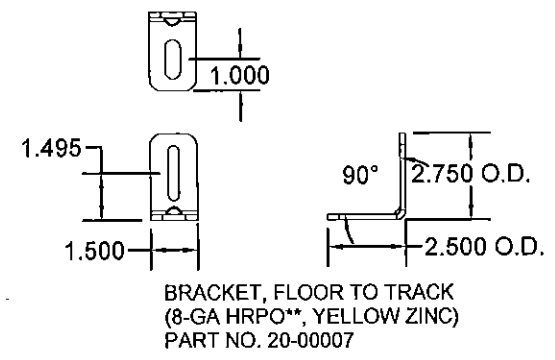
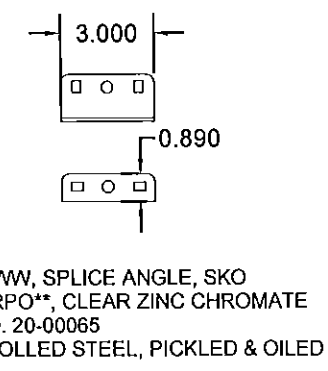
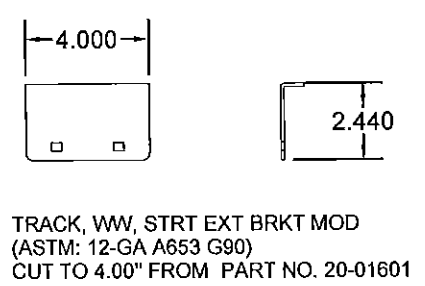
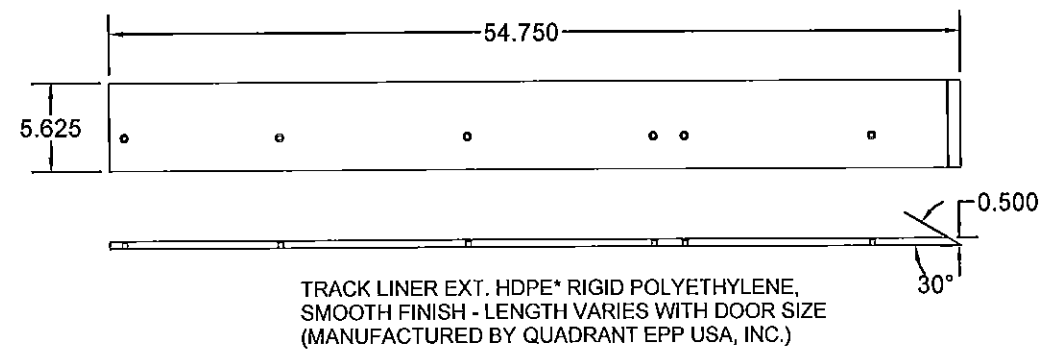
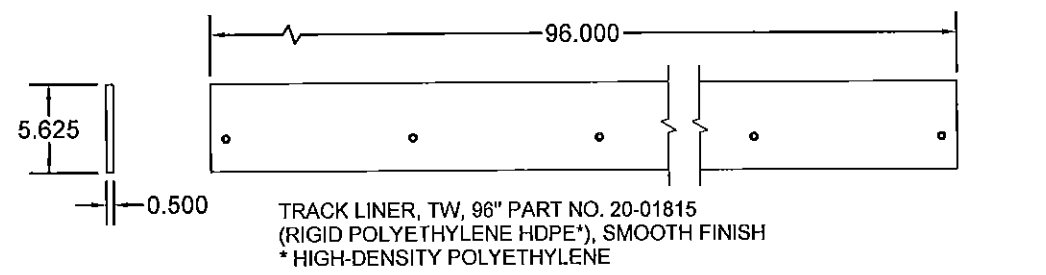
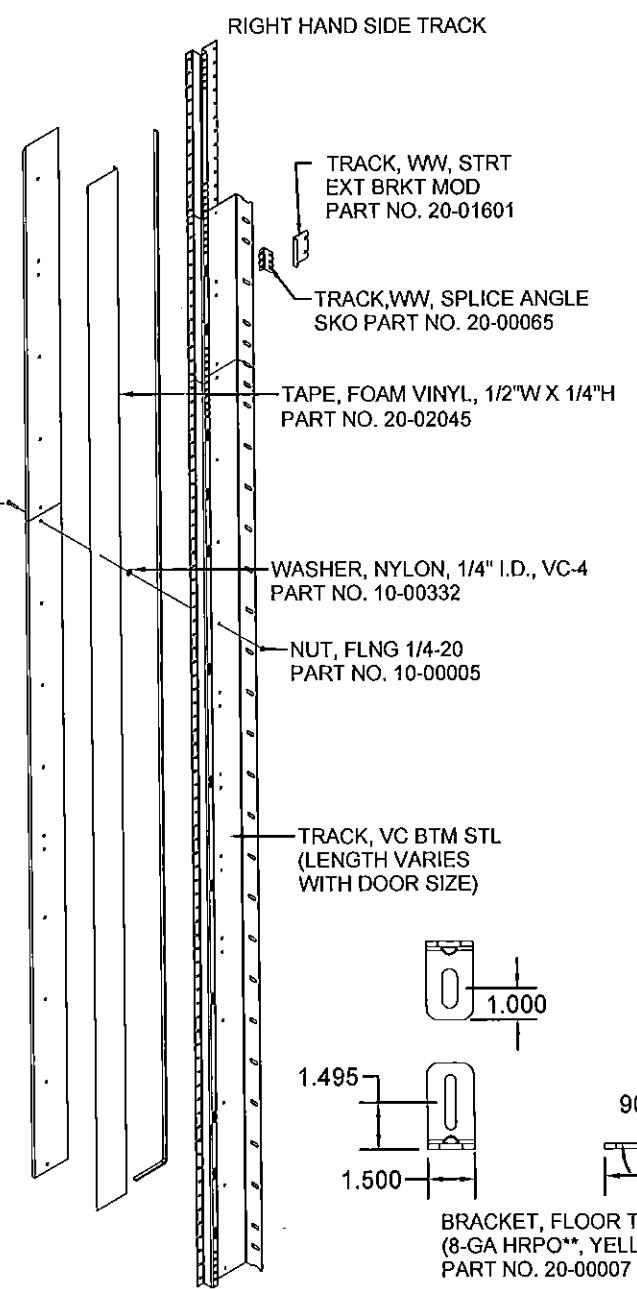
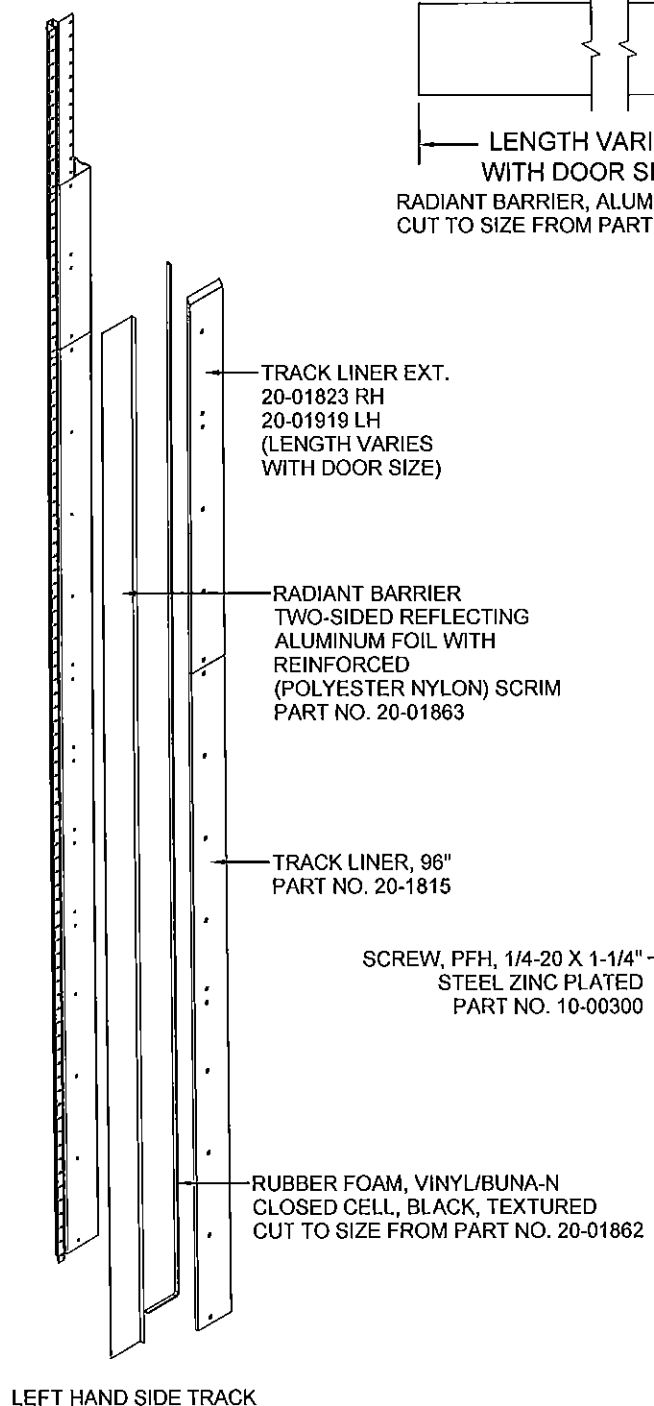
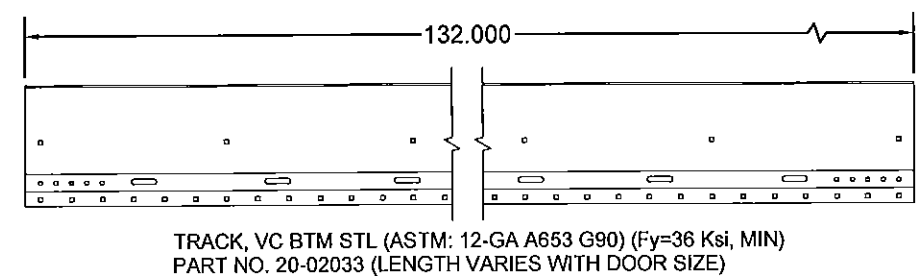
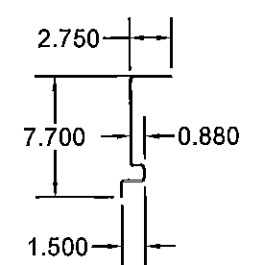
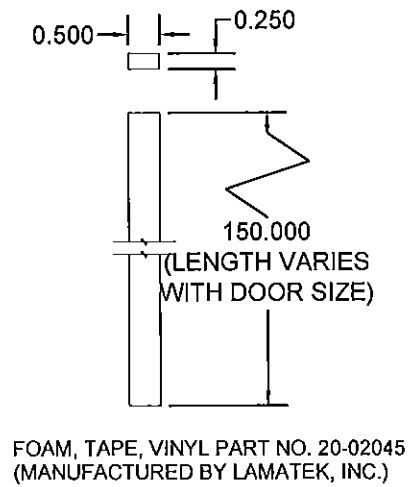
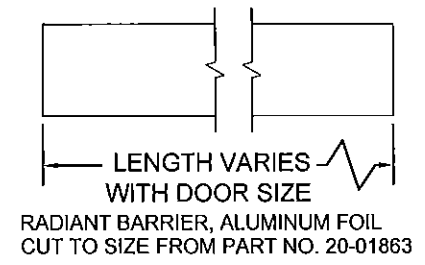
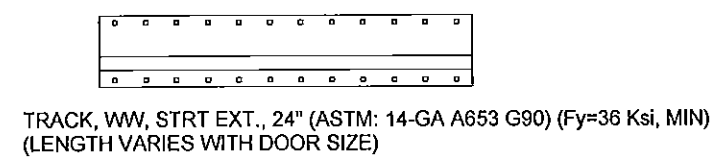
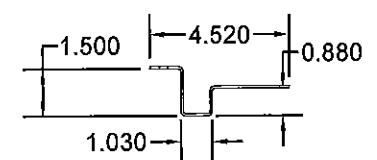
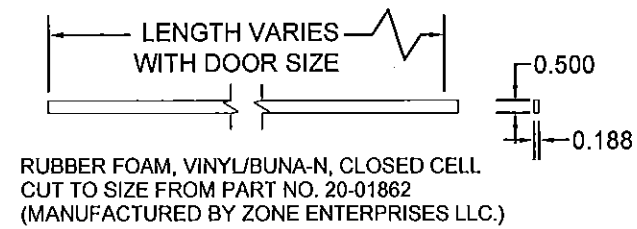
SCALE: -

PAGE DESCRIPTION:

3 OF 7

V:\Projects\15-2401 Fiberglass Dock Door VC-4 WL- NOA - Update 13-0521.06 (13-TKO-04) for 20-Project\W\F\15-2401a Vertical 4in Sectional Door (NOA).dwg

LOWER TRACK ASSEMBLY



FRANK L. BENNARDO, P.E.
#PE0046540
05/18/2015
No. 46540

ENGINEERING EXPRESS

160 SW 12th AVENUE, #106
DEERFIELD BEACH, FL 33442
Ph: (954) 354-0660 FAX: (954) 354-0661
WWW.ENGEXP.COM

CERT OF AUTH #9885
A FRANK L. BENNARDO, P.E., INC. INNOVATION

TKO DOORS, DIVISION OF 4FRONT ENGINEERED SOLUTIONS, INC.
N56 W24701 NORTH CORPORATE CIRCLE, SUITE A
SUSSEX, WI 53089
PHONE: 1-800-575-3366 FAX: (262) 246-1301

FIBERGLASS DOCK DOORS
VC-4 WL OVERHEAD GARAGE DOOR
MIAMI-DADE NOTICE OF ACCEPTANCE

REMARKS	DRWN	CHKD	DATE
INIT ISSUE (13-TKO-04)	KL	FLB	05/06/13
REV PER COMMENTS	KL	FLB	10/09/13
REMOVE STRAY LINES	KL	FLB	11/20/13
FBC UPDATE	RWN	CSL	05/18/15

THIS DOCUMENT IS THE PROPERTY OF ENGINEERING EXPRESS AND SHALL NOT BE REPRODUCED IN WHOLE OR PART WITHOUT WRITTEN CONSENT OF THE CERTIFYING ENGINEER. ALTERATIONS, ADDITIONS, HIGHLIGHTING, OR OTHER MARKINGS TO THIS DOCUMENT ARE NOT PERMITTED AND INVALIDATE OUR CERTIFICATION.

COPYRIGHT ENGINEERING EXPRESS

PRODUCT REVISED
as complying with the Florida
Building Code
Acceptance No 15-0916.11
Expiration Date 11/22/2016

By *[Signature]*
Miami Dade Product Control

15-2401

SCALE: -

PAGE DESCRIPTION:

4 OF 7

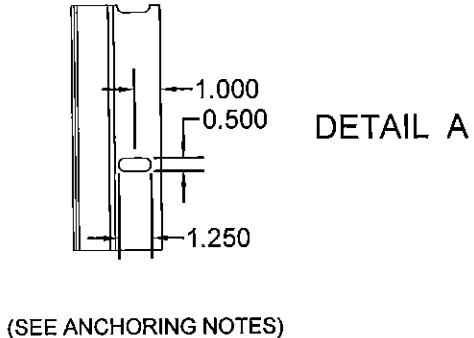
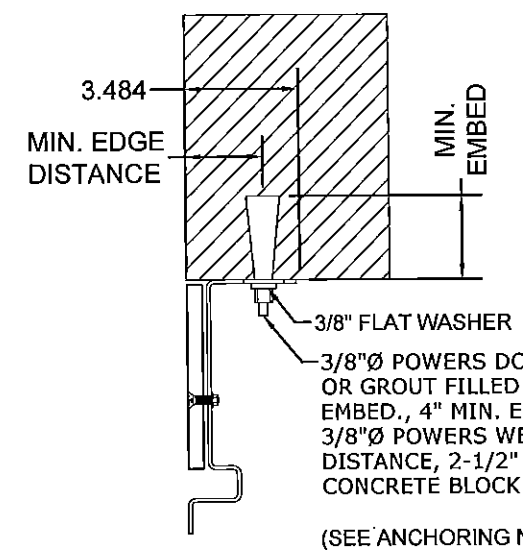
V:\Projects\15-2401 Fiberglass Dock Door VC-4 WL- NOA - Update 13-0521.06 (13-TKO-04) for 20-Project\WP15-2401a Vertical 4in Sectional Door (NOA).dwg 05/18/2015 - 3:43pm rickn

STEEL ANGLE TRACK TO BLOCK/CONCRETE

STEEL ANGLE TRACK ANCHOR HOLE

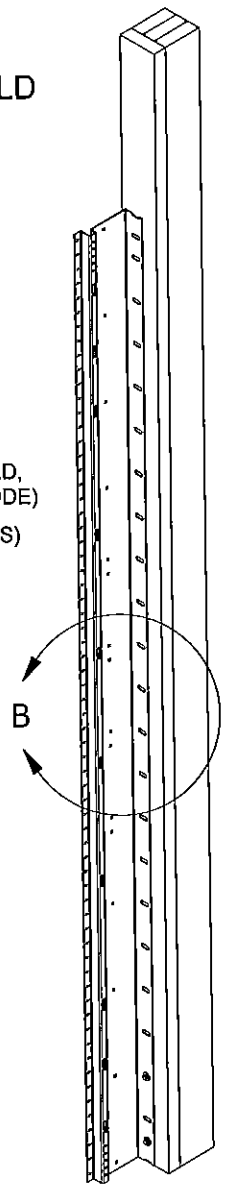
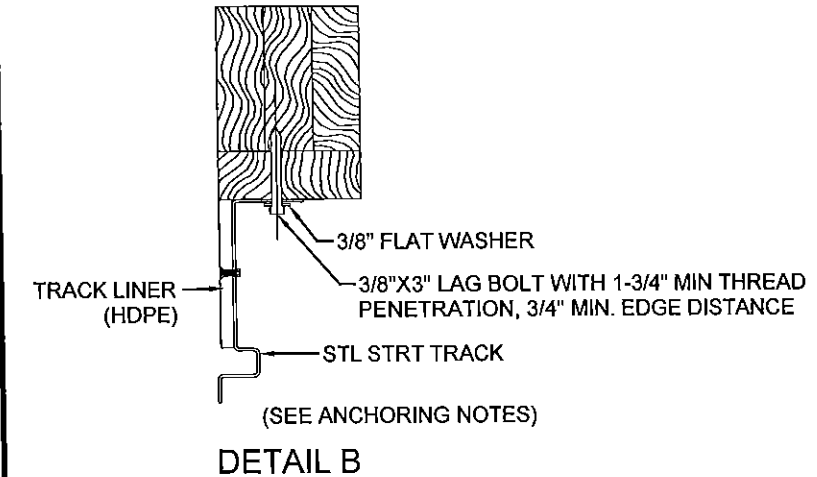
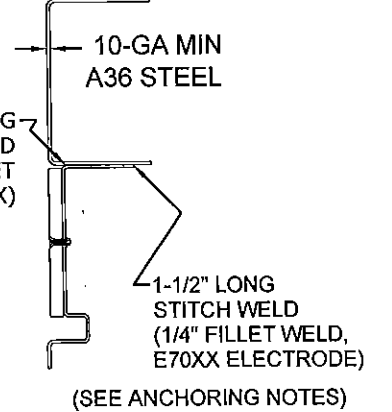
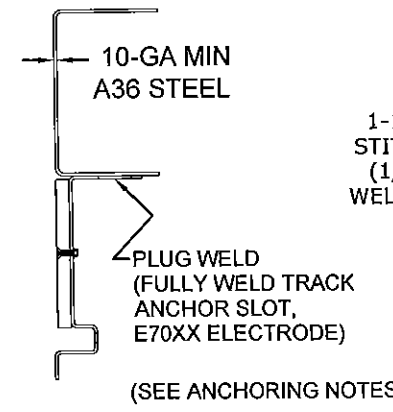
TRACK ANCHOR MOUNTING

ANCHORING NOTES:

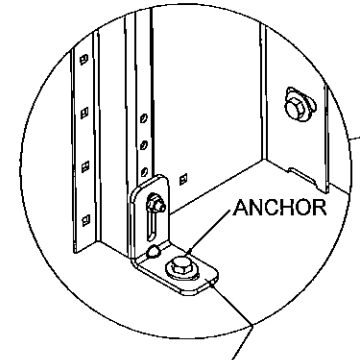


ANGLE TO STEEL WITH PLUG WELD

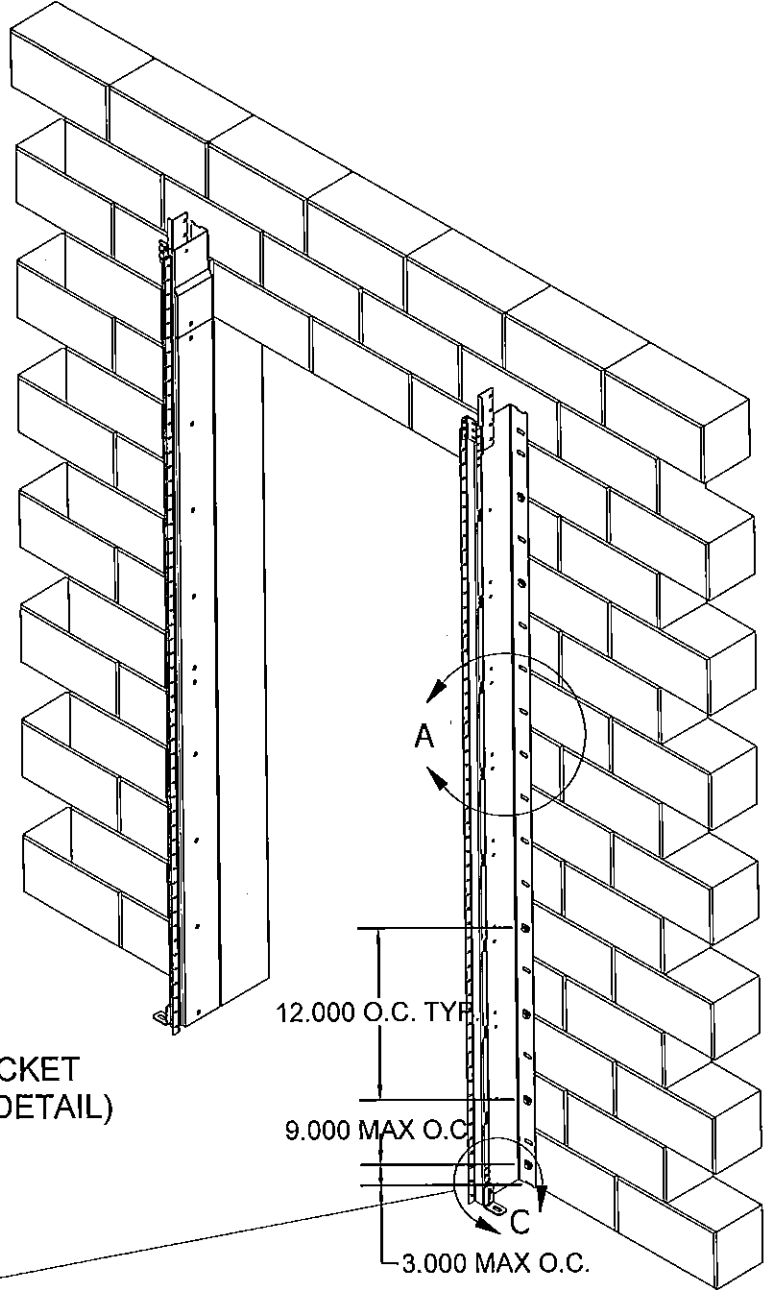
ANGLE TO STEEL WITH STITCH WELD



DETAIL C FLOOR TO TRACK BRACKET (SEE SHEET 4 OF 7 FOR DETAIL)



BRACKET, FLOOR TO TRACK PART NO. 20-00007 (SEE ANCHORING NOTES)
 *TYPE OF ANCHOR DETERMINED BY FLOOR MATERIAL, USE ANY ANCHOR SHOWN HEREIN



1. THIS SYSTEM SHALL BE ANCHORED WITH ANY OF THE ANCHORING METHODS SHOWN HEREIN, WITH (2) ANCHORS LOCATED 3" AND 12" FROM THE BOTTOM OF THE TRACK AND 12" O.C. MAX THEREAFTER OR EVERY OTHER MOUNTING SLOT.
2. ANCHORS SHALL BE INSTALLED ACCORDANCE WITH MANUFACTURERS RECOMMENDATIONS.
3. WHERE ANCHORS FASTEN TO NARROW FACE OF STUD FRAMING, ANCHOR SHALL BE LOCATED IN CENTER OF NOMINAL 2x (MIN) WOOD STUD (i.e. 3/4" EDGE DISTANCE IS ACCEPTABLE FOR ANCHORS TO WOOD FRAMING).
4. WOOD HOST STRUCTURE SHALL BE "SOUTHERN PINE" G=0.55 OR GREATER DENSITY.
5. MINIMUM EMBEDMENT SHALL BE AS NOTED IN ANCHOR DETAIL. MINIMUM EMBEDMENT AND EDGE DISTANCE EXCLUDES STUCCO, FOAM, BRICK, AND OTHER WALL FINISHES.
6. WHERE EXISTING STRUCTURE IS WOOD FRAMING, EXISTING CONDITIONS MAY VARY. FIELD VERIFY THAT FASTENERS ARE INTO ADEQUATE WOOD FRAMING MEMBERS, NOT INTO PLYWOOD.
7. WOOD BUCKS (BY OTHERS) SHALL BE ANCHORED PROPERLY TO TRANSFER LOADS TO THE EXISTING STRUCTURE.
8. MACHINE SCREWS SHALL HAVE MINIMUM OF 1/2" ENGAGEMENT OF THREADS IN BASE ANCHOR AND MAY HAVE EITHER A PAN HEAD, TRUSS HEAD, OR WAFER HEAD ("SIDEWALK BOLT") U.N.O.

FRANK L. BENNARDO, P.E.
 #PE0046549
 PROFESSIONAL ENGINEER
 No. 46549
ENGINEERING EXPRESS
 160 SW 12th AVENUE, #116
 DEERFIELD BEACH, FL 33442
 Ph: (954) 354-0660 FAX: (954) 354-0443
 WWW.ENGEXP.COM
 CERT. OF AUTH #8885
 A FRANK L. BENNARDO, P.E., INC. INNOVATION

TKO DOORS, DIVISION OF 4FRONT ENGINEERED SOLUTIONS, INC.
 N56 W24701 NORTH CORPORATE CIRCLE, SUITE A
 SUSSEX, WI 53089
 PHONE: 1-800-575-3366 FAX: (262) 246-1301
 FIBERGLASS DOCK DOORS
 VC-4 WL OVERHEAD GARAGE DOOR
 MIAMI-DADE NOTICE OF ACCEPTANCE

REMARKS	DRWN	CHKD	DATE
INIT ISSUE (13-TKO-04)	KL	FLB	05/06/13
REV. PER COMMENTS	KL	FLB	10/09/13
REMOVE STRAY LINES	KL	FLB	11/20/13
PEC UPDATE	RWN	CSL	05/18/15

THIS DOCUMENT IS THE PROPERTY OF ENGINEERING EXPRESS AND SHALL NOT BE REPRODUCED IN WHOLE OR PART WITHOUT WRITTEN CONSENT OF THE CERTIFYING ENGINEER. ALL RIGHTS ARE RESERVED. NO PART OF THIS DOCUMENT MAY BE REPRODUCED OR TRANSMITTED IN ANY FORM OR BY ANY MEANS, ELECTRONIC OR MECHANICAL, INCLUDING PHOTOCOPYING, RECORDING, OR BY ANY INFORMATION STORAGE AND RETRIEVAL SYSTEM. DOCUMENT IS NOT VALIDATED FOR CONSTRUCTION.

PRODUCT REVISED
 as complying with the Florida Building Code
 Acceptance No 15-0016-11
 Expiration Date 11/22/2015
 By *[Signature]*
 Miami Dade Product Control

COPYRIGHT ENGINEERING EXPRESS
15-2401
 SCALE: _____
 PAGE DESCRIPTION: _____
 of 7
5

FASTENER NOTE:

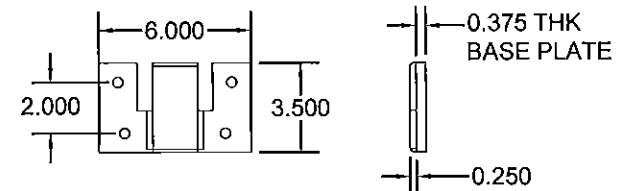
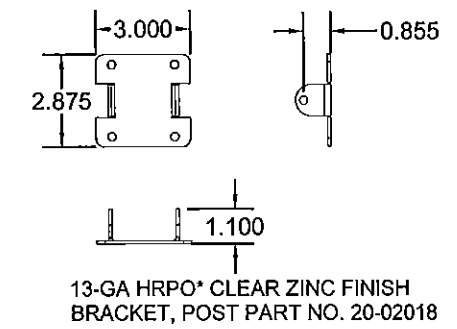
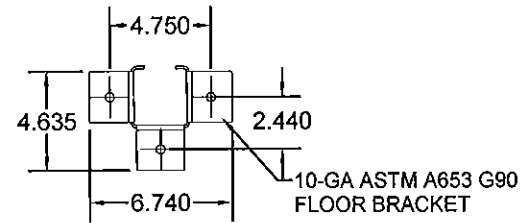
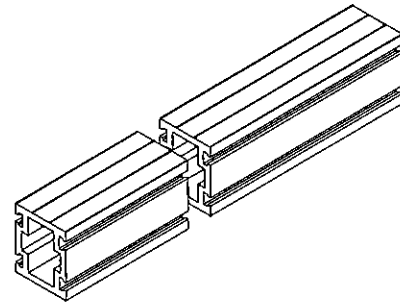
FIXED PLUNGERS, HANDLES, AND TPU BRACKETS ARE MOUNTED TO THE PANEL USING: (4) 1/4-20 X 3.00" CARRIAGE BOLTS AND (4) 1/4-20 FLANGE NUTS.

HINGE SETS ARE MOUNTED TO THE PANELS USING: (4) 1/4-20 X 3.00" CARRIAGE BOLTS AND 1/4-20 FLANGE NUTS.

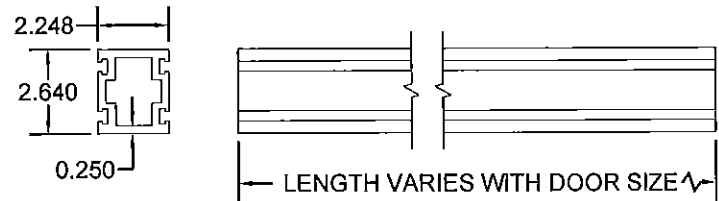
PANEL PLATES ARE MOUNTED TO THE PANELS USING: (10) 1/4-20 X 3.00" CARRIAGE BOLTS AND 1/4-20 FLANGE NUTS.

SLIDE LOCKS ARE MOUNTED TO THE PANELS USING: (4) #14 X 3/4" TEK SCREWS.

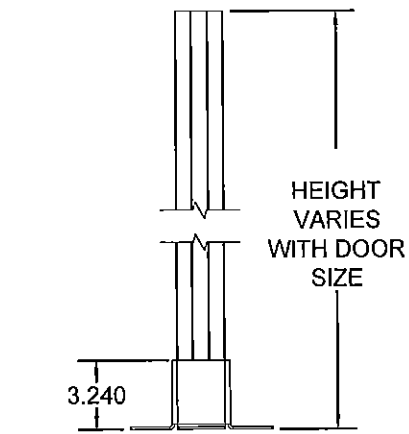
PANEL HARDWARE



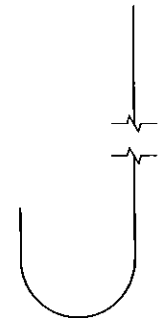
WALL BRACKET, WINDLOAD A36 STEEL, ZINC PLATED PART NO. 35-00057



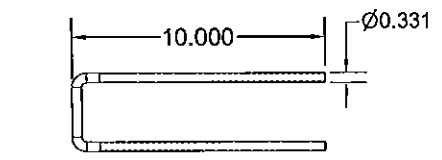
KIT, CENTER POST, HEAVY- WLD ALUMINUM ALLOY 6005- T5 TKO PART NO. 30-00907



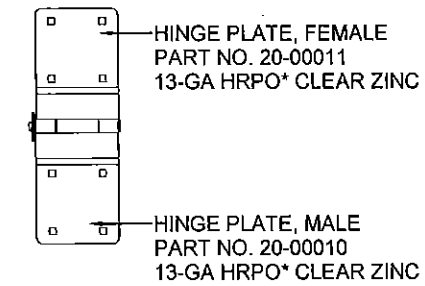
CENTER POST ASSEMBLY, HEAVY TKO PART NO. 30-00905



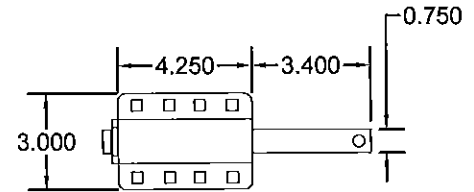
3/64" GALV. LANYARD, POST TETHER, 8' PART NO. 10-00360



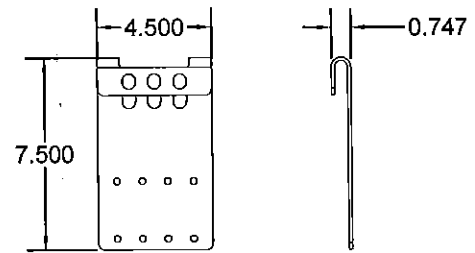
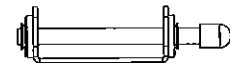
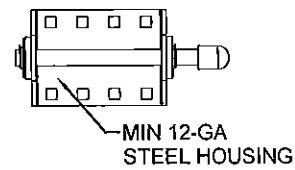
U-BOLT, 1018 STEEL, ZINC PLATED PART NO. 10-00359



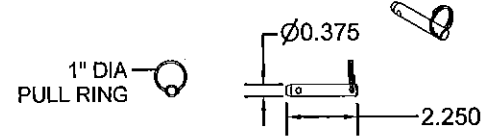
HINGE PLATE, FEMALE PART NO. 20-00011 13-GA HRPO* CLEAR ZINC
HINGE PLATE, MALE PART NO. 20-00010 13-GA HRPO* CLEAR ZINC



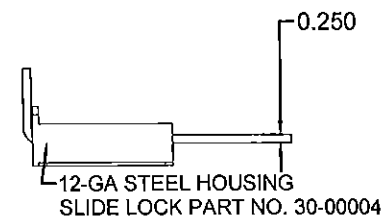
FIXED PLUNGER PART NO. 30-00676



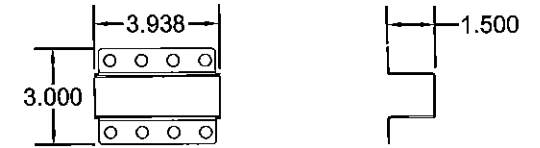
TPU CABLE LEVELING BRACKET 11-GA A653 G90 PART NO. 20-01868



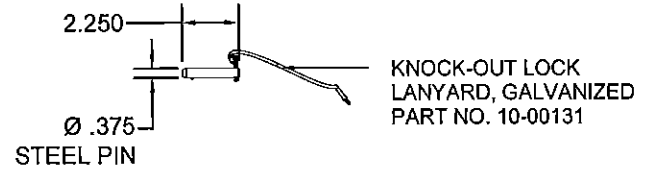
KNOCK-OUT LOCK PIN, WINDLOAD 12L14 CARBON STEEL ZINC PLATED PART NO. 10-00237



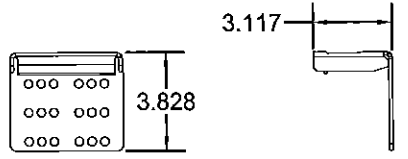
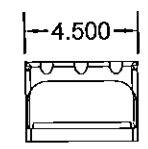
12-GA STEEL HOUSING SLIDE LOCK PART NO. 30-00004



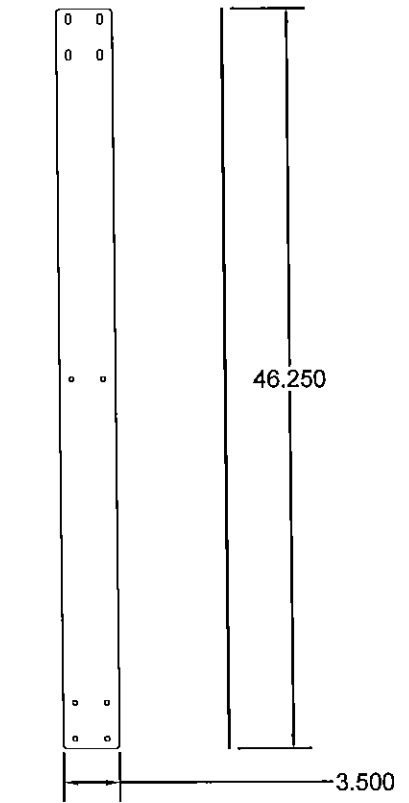
18-GA A653 G90 COVER, PLUNGER PART NO. 20-01459



KNOCK-OUT LOCK LANYARD, GALVANIZED PART NO. 10-00131



10-GA HRPO* CLEAR ZINC HANDLE PART NO. 20-00613



12-GA A653 G90 PANEL PLATE PART NO. 20-01814

*HRPO- HOT ROLLED, PICKLED & OILED STEEL

FRANK L. BENNARDO, P.E.
#PE0046549

05/18/2015

FRANK L. BENNARDO
LICENSE
No. 1549
STATE OF FLORIDA
PROFESSIONAL ENGINEER
EXPRESSIONS

160 SW 12th AVENUE, #106
DEERFIELD BEACH, FL 33442
Ph: (954) 354-0660 FAX: (954) 354-0643
WWW.ENGEXP.COM
CERT OF AUTH #8885
A FRANK L. BENNARDO, P.E., INC. INNOVATION

TKO DOORS, DIVISION OF 4FRONT ENGINEERED SOLUTIONS, INC.
N56 W24701 NORTH CORPORATE CIRCLE, SUITE A
SUSSEX, WI 53089
PHONE: 1-800-575-3366 FAX: (262) 246-1301

FIBERGLASS DOCK DOORS
VC-4 WL OVERHEAD GARAGE DOOR
MIAMI-DADE NOTICE OF ACCEPTANCE

REMARKS	DRWN	CHKD	DATE
INIT ISSUE (13-TKO-04)	KL	FLB	05/08/13
REV. PER COMMENTS	KL	FLB	10/09/13
REMOVE STRAY LINES	KL	FLB	11/20/13
FBC UPDATE	RWN	CSL	05/18/15

THIS DOCUMENT IS THE PROPERTY OF ENGINEERING EXPRESSIONS AND SHALL NOT BE REPRODUCED IN WHOLE OR PART WITHOUT WRITTEN CONSENT OF THE CERTIFYING ENGINEER. AUTOMATIC, UNLAWFUL, UNAUTHORIZED REPRODUCTION OF THIS DOCUMENT IS STRICTLY PROHIBITED AND WILL BE PROSECUTED TO THE FULL EXTENT OF THE LAW.

COPYRIGHT ENGINEERING EXPRESS

PRODUCT REVISED
as complying with the Florida
Building Code
Acceptance No 15-0016-11
Expiration Date 11/25/2015

By *[Signature]*
Miami Dade Product Control

15-2401

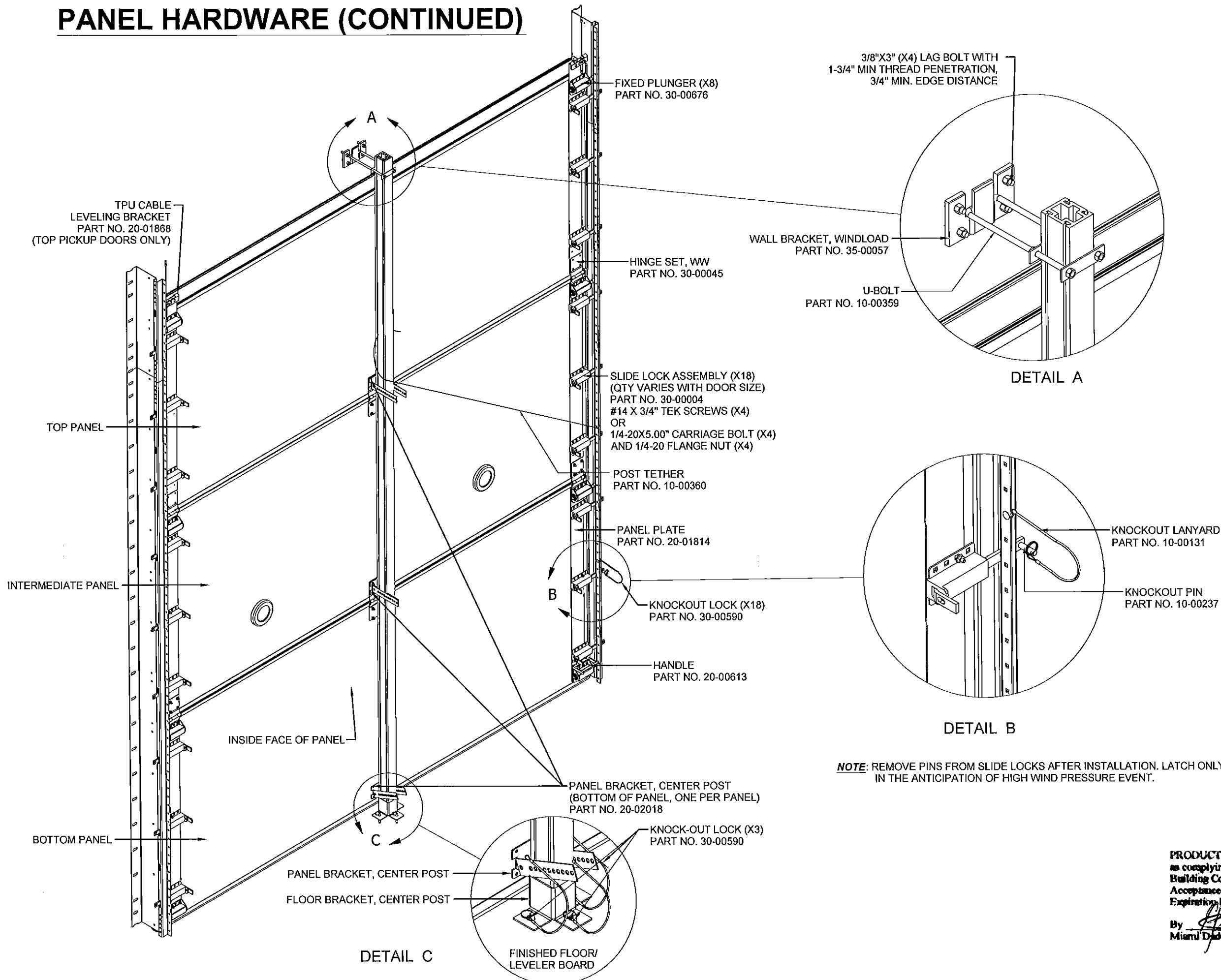
SCALE: -

PAGE DESCRIPTION:

OF 7

V:\Projects\15-2401 FiberGlass Dock Door VC-4 WL- NOA - Update 13-0521.06 (13-TKO-04) for 20-Project\WP15-2401a Vertical 4in Sectional Door (NOA).dwg 05/18/2015 - 3:43pm rickn

PANEL HARDWARE (CONTINUED)



NOTE: REMOVE PINS FROM SLIDE LOCKS AFTER INSTALLATION. LATCH ONLY IN THE ANTICIPATION OF HIGH WIND PRESSURE EVENT.

FRANK L. BENNARDO, P.E.
PE0046549

05/18/2015

FRANK L. BENNARDO
LICENSE
No. 400049
STATE OF FLORIDA
PROFESSIONAL ENGINEER

ENGINEERING EXPRESS
160 SW 12th AVENUE, #106
DEERFIELD BEACH, FL 33442
Ph: (954) 354-0660 Fax: (954) 354-4443
WWW.ENGENXP.COM

CERT OF AUTH #9885
A FRANK L. BENNARDO, P.E., INC. INNOVATION

TKO DOORS, DIVISION OF 4FRONT ENGINEERED SOLUTIONS, INC.
N56 W24701 NORTH CORPORATE CIRCLE, SUITE A
SUSSEX, WI 53089
PHONE: 1-800-575-3366 FAX: (262) 246-1301

FIBERGLASS DOCK DOORS
VC-4 WL OVERHEAD GARAGE DOOR
MIAMI-DADE NOTICE OF ACCEPTANCE

REMARKS	DRWN	CHKD	DATE
INIT ISSUE (13-TKO-04)	KL	FLB	05/06/13
REV. PER COMMENTS	KL	FLB	10/09/13
REMOVE STRAY LINES	KL	FLB	11/20/13
FBC UPDATE	RWN	CSL	05/18/15

THIS DOCUMENT IS THE PROPERTY OF ENGINEERING EXPRESS AND SHALL NOT BE REPRODUCED IN WHOLE OR PART WITHOUT WRITTEN CONSENT OF THE COPYRIGHT ENGINEER. ALL RIGHTS ARE RESERVED AND WILL BE ENFORCED TO THE FULLEST EXTENT PERMITTED BY LAW.

COPYRIGHT ENGINEERING EXPRESS

PRODUCT REVISED
as complying with the Florida
Building Code
Acceptance No 150916-11
Expiration Date 1/23/2015

By *[Signature]*
Miami Dade Product Control

15-2401

SCALE: -

PAGE DESCRIPTION:

7 OF 7

V:\Projects\15-2401 FiberGlass Dock Door VC-4 WL - NOA - Update 13-0521.06 (13-TKO-04) for 20-Project\WP15-2401a Vertical 4in Sectional Door (NOA).dwg
05/18/2015 - 3:43pm rickn